

TOP VIEW

FIG.1

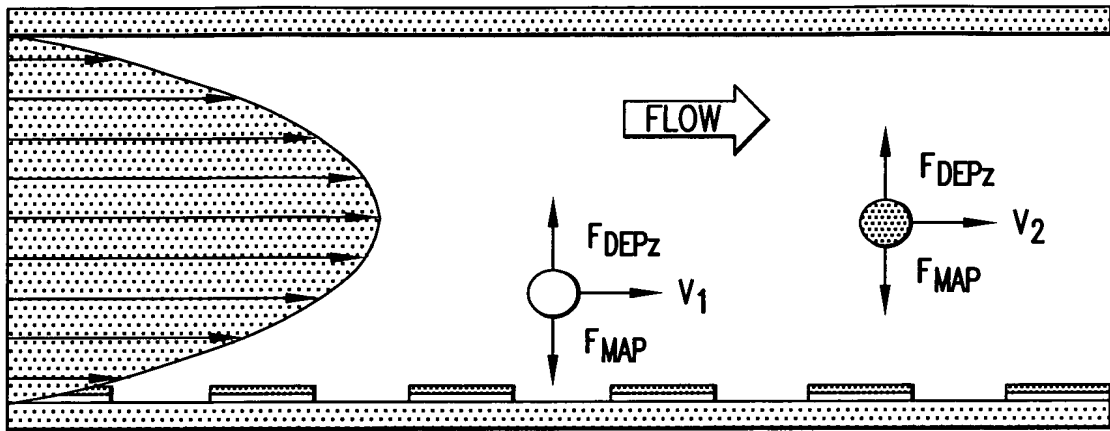


FIG. 2A

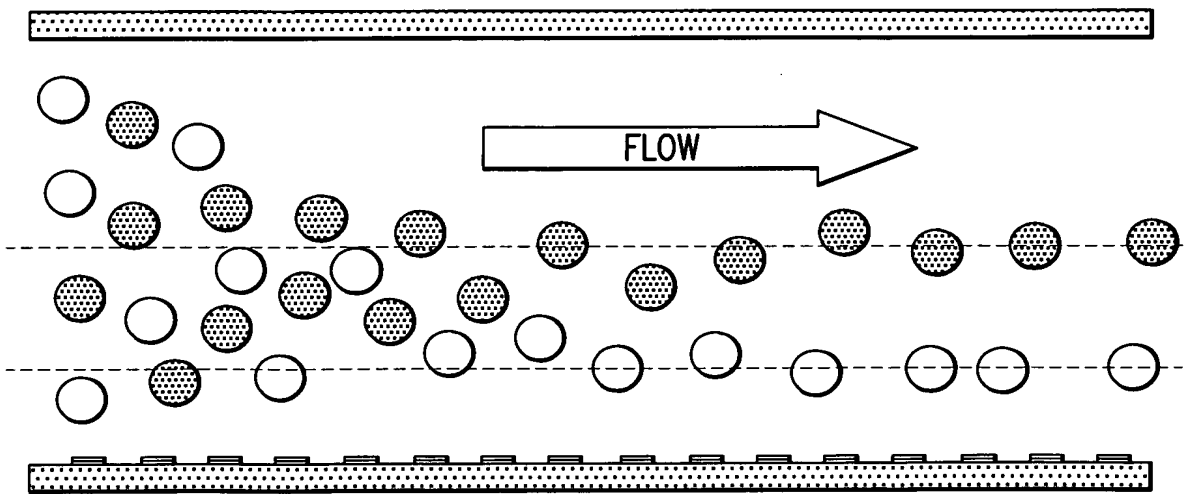


FIG. 2B

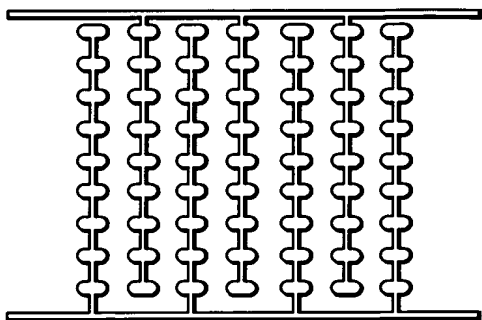


FIG. 3A

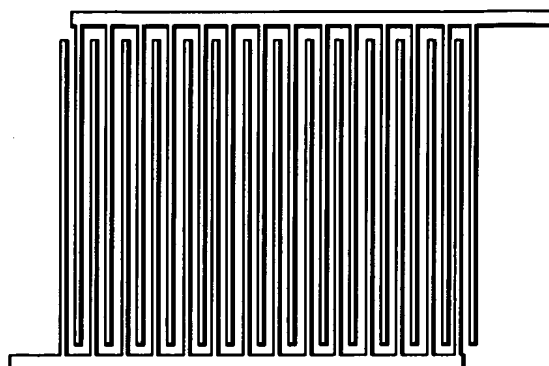


FIG. 3B

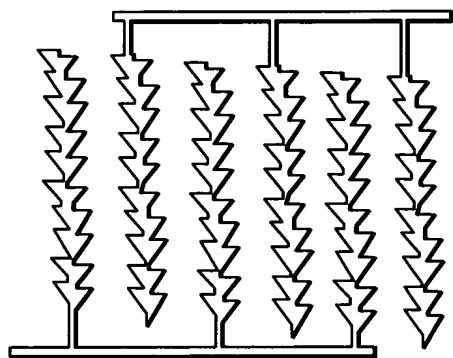


FIG. 3C

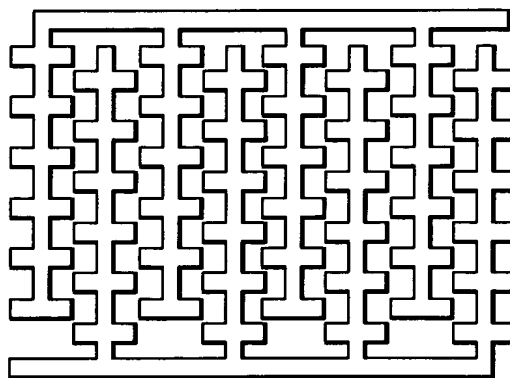


FIG. 3D

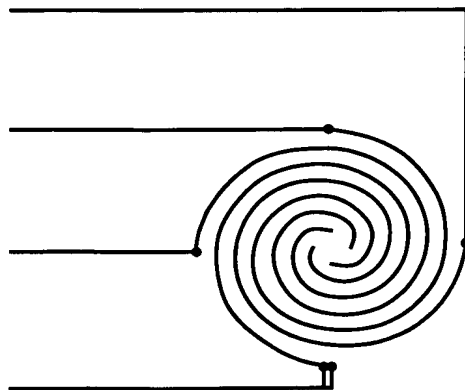


FIG. 3E

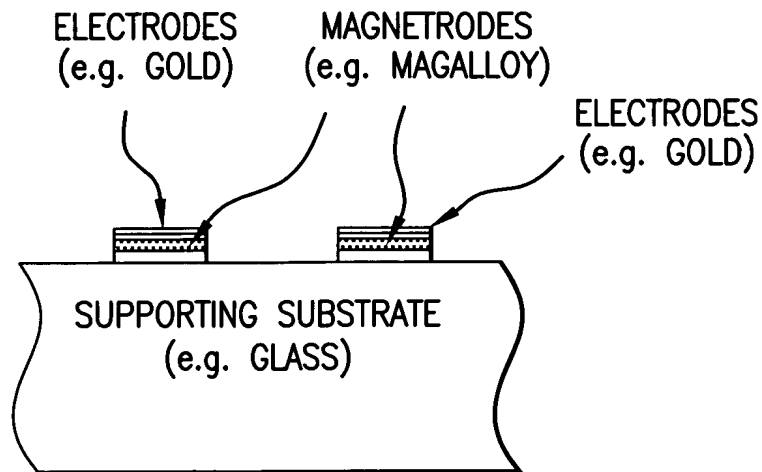


FIG. 4A

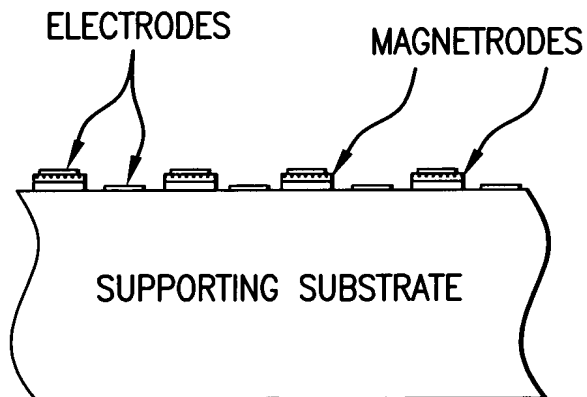


FIG. 4B

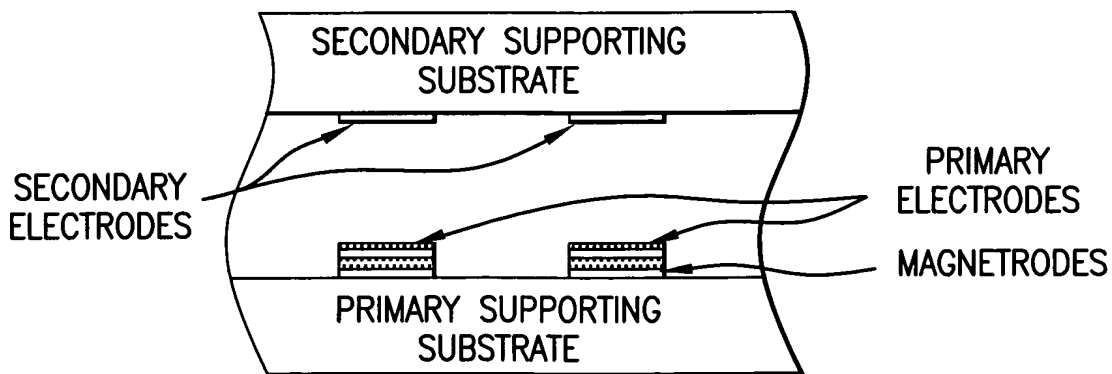


FIG. 4C

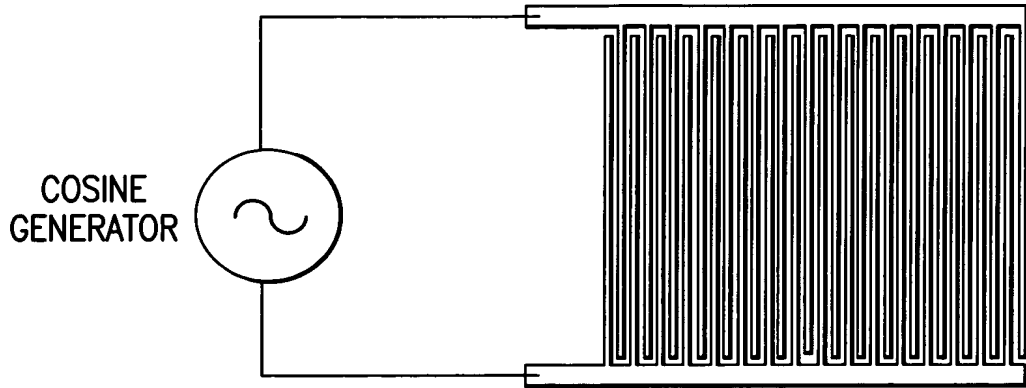


FIG. 5A

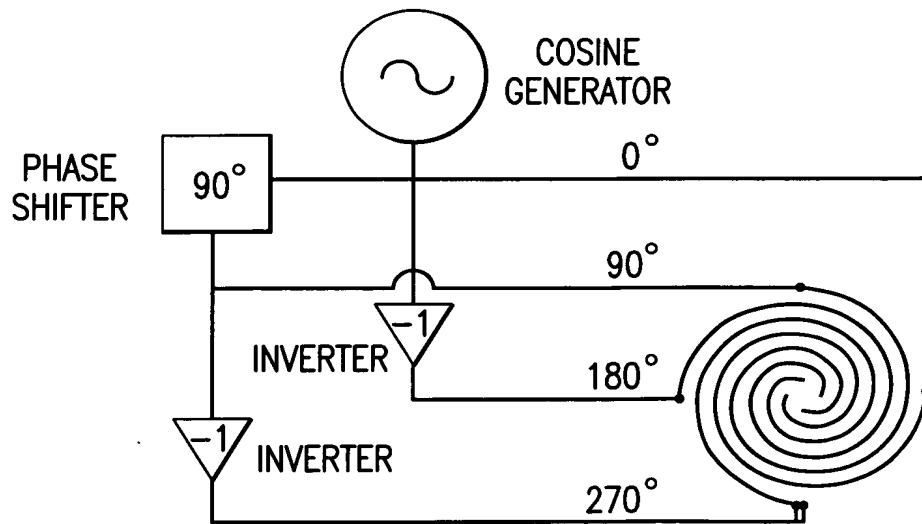
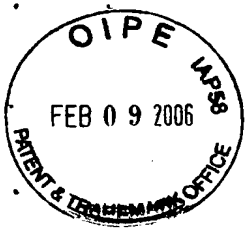
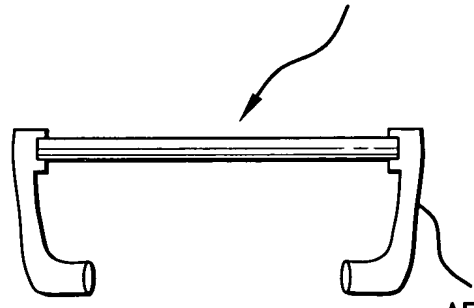


FIG. 5B

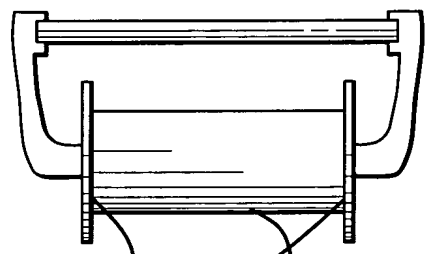
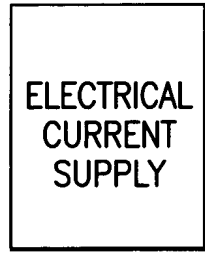


COMMON  
ELEMENTS IN  
FIG.'S A, B AND C  
BELOW:

SEPARATION CHAMBER ASSEMBLY  
INCORPORATING ELECTRODES,  
MAGNETRODES AND FLUID FLOW PATH

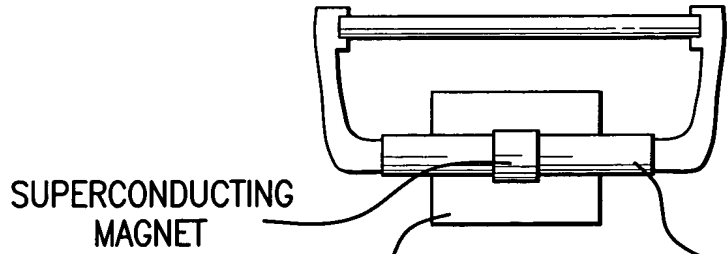


ARMATURE TO COUPLE  
MAGNETIC FIELD TO  
MAGNETRODE BUSES



SOLENOID

FIG. 6A

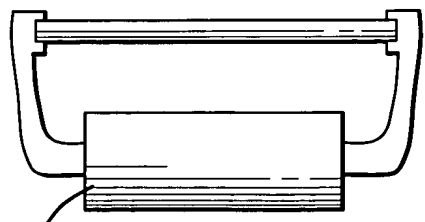


SUPERCONDUCTING  
MAGNET

ARMATURE  
COUPLING

LIQUID NITROGEN  
BATH

FIG. 6B



CONVENTIONAL  
MAGNET

FIG. 6C

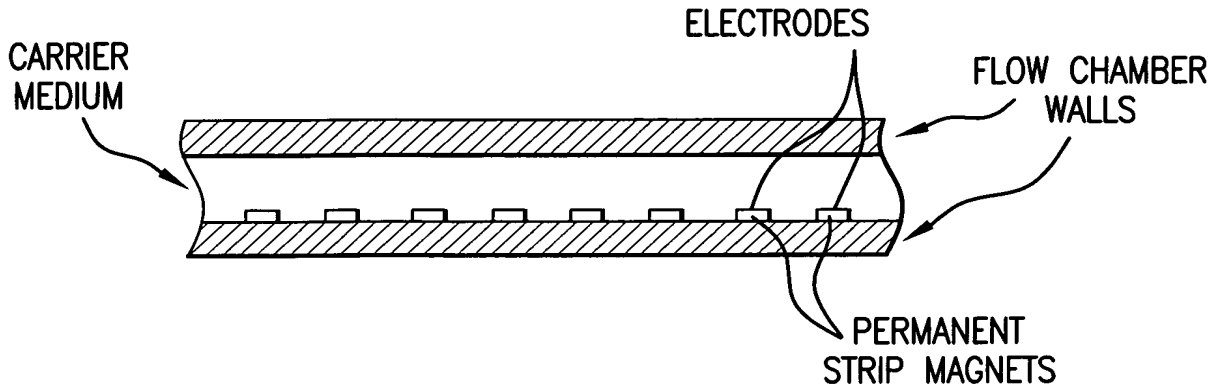
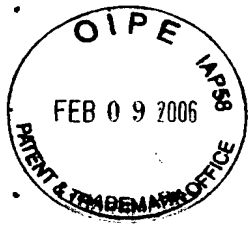


FIG. 7A

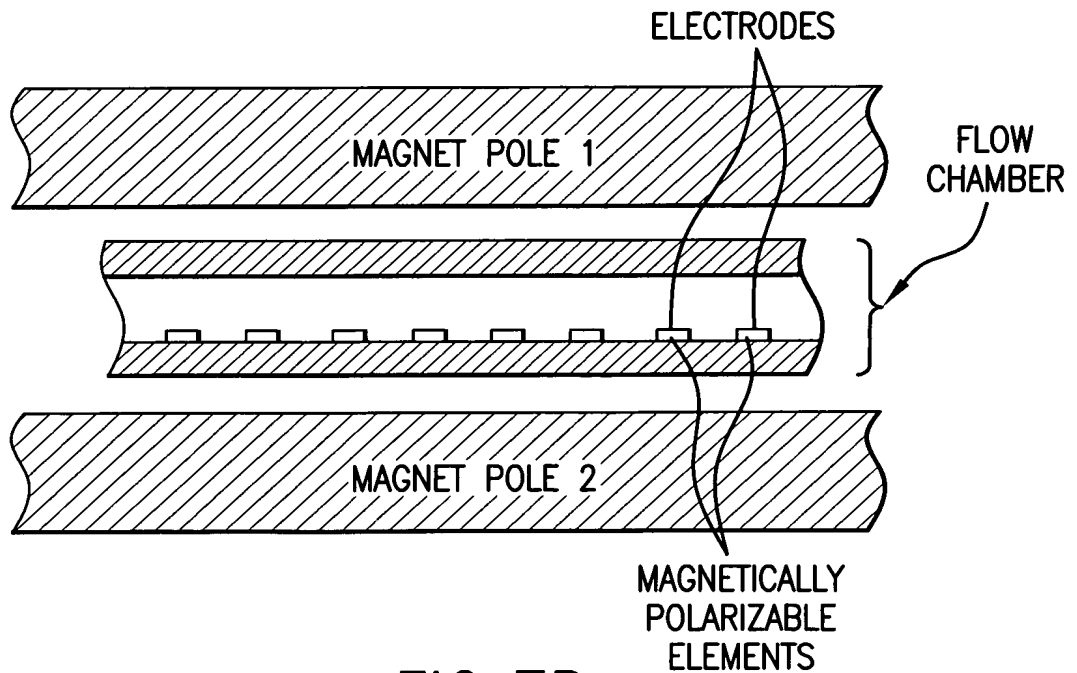


FIG. 7B

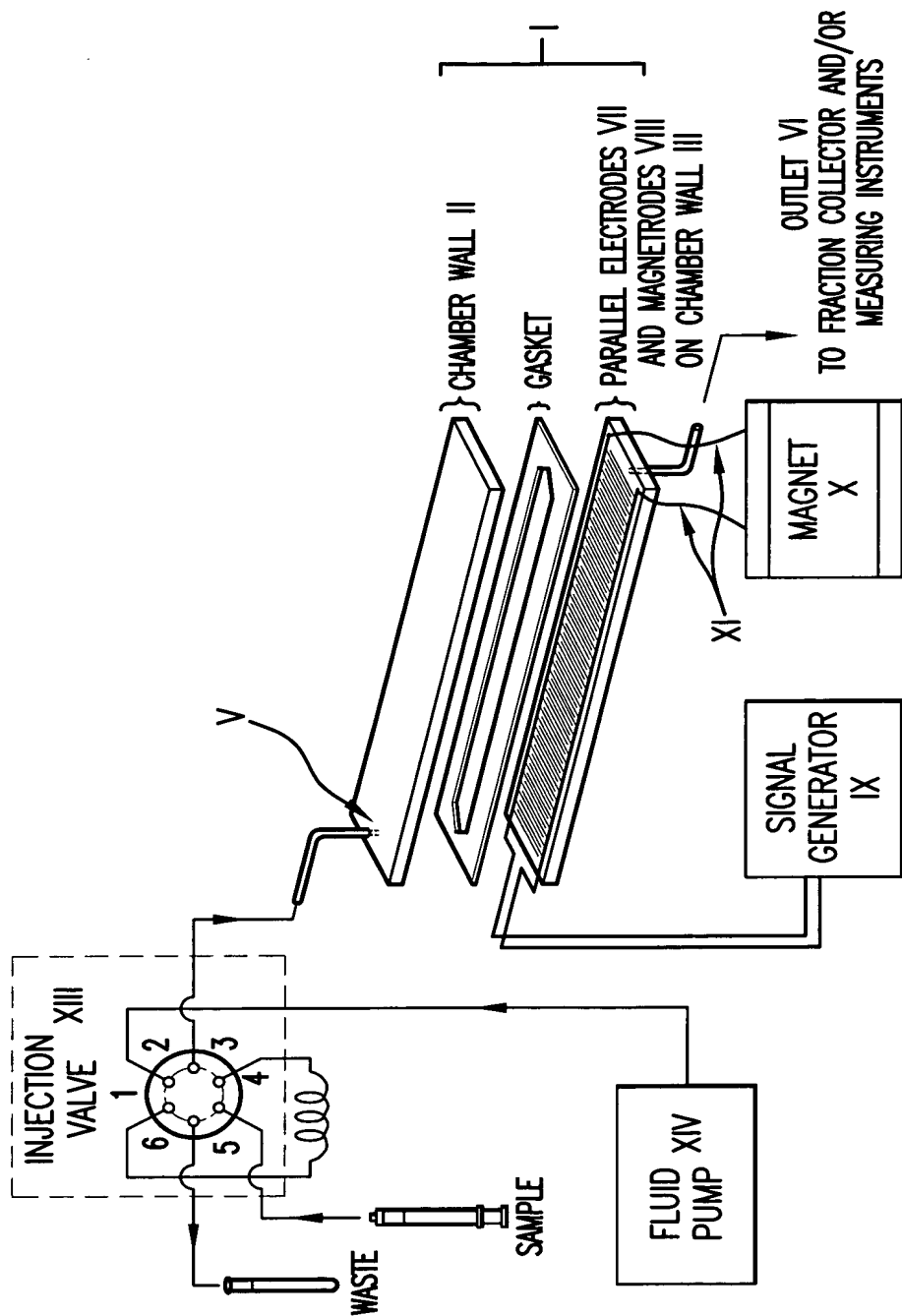


FIG. 8



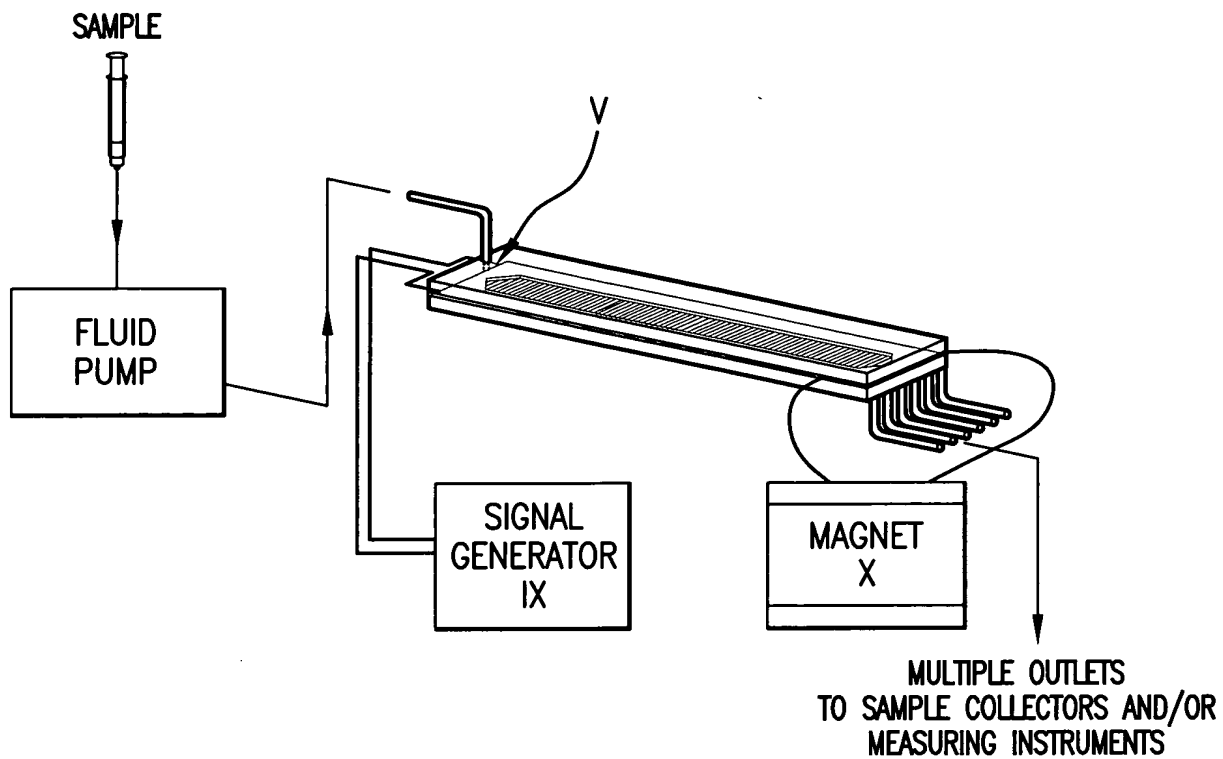


FIG. 9A

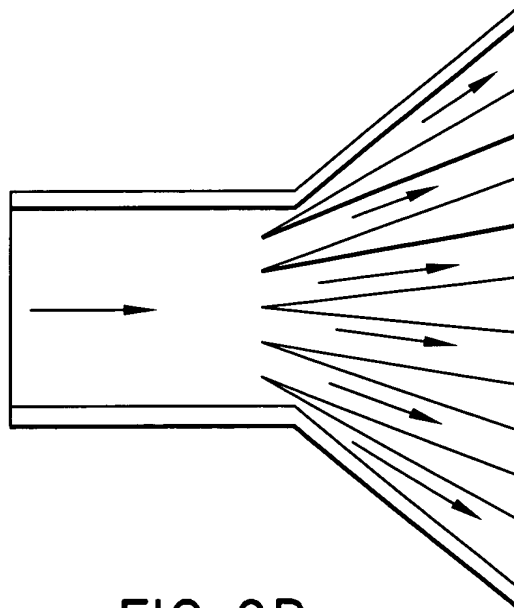


FIG. 9B